

TELESTAR® TOP NR 5



MORE LANGUAGES

user manual

1. Safety instructions

- This product is not a toy. Keep it out of the reach of children and pets.
- The device is not waterproof. Do not expose it to moisture, water or rain. If water or foreign objects get into the device, stop using it immediately.
- The permissible operating and storage temperature is 0 °C to 40 °C. Temperatures outside this range may impair the function or damage the device.
- Do not open the device. There are live components inside. Repairs may only be carried out by qualified personnel.
- Do not expose the device to extreme heat, open flames or direct sunlight for long periods of time.
- Only use original accessories or compatible accessories to avoid malfunctions.
- Do not look directly into the LED torch to avoid possible eye damage.
- Warning: This device contains an integrated lithium battery.
- Clean the device only with a soft, slightly damp cloth.
- Do not use alcohol-based, aggressive or abrasive cleaning agents.
- Radio connections (DAB+, FM, Bluetooth) may be affected by structural conditions, interference or environmental influences.

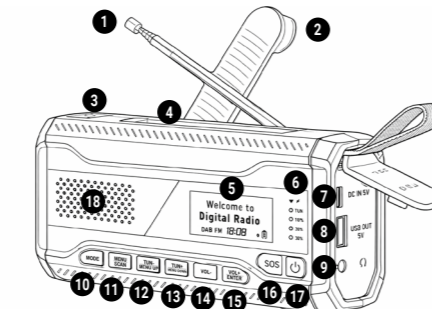


Old devices must not be disposed of with household waste, but must be returned free of charge to municipal collection points or retailers. This device contains a permanently integrated battery that must not be removed by the user. The battery must be removed and disposed of properly as part of the device recycling process.

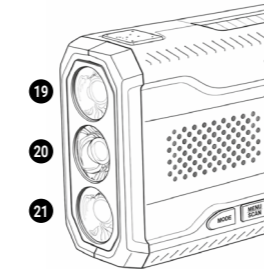
2. Delivery

- TELESTAR TOP NR 5
- USB-A to USB-C charging cable (79 cm)
- User manual

3. Designations



1. Telescopic antenna
2. Hand crank
3. Torch button
4. Solar module
5. LCD display
6. Status LEDs
7. 5 V input (DC)
8. 5 V output (USB)
9. Headphone jack (3.5 mm)
10. Mode selection
11. Menu / Automatic station search
12. Station search down / Call up favourite
13. Station search up / Save favourite
14. Volume down
15. Volume up / Confirm
16. SOS button
17. On/off button
18. Speaker
19. Torch (low brightness)
20. SOS warning light (high brightness)
21. Torch (low brightness)



4. DAB radio operation

1. Press and hold the on/off button for approx. 3 seconds to switch on the radio. The date and time are shown on the display. Press the on/off button again to switch off the radio.
- Note:** When using the radio for the first time, press the on/off button after switching on to start a DAB+ station search.
2. Press the [MODE] button to select DAB mode.
3. Use [TUN+] or [TUN-] to switch between the stations found.
4. To save the station currently being received, press and hold [TUN+]. Use [TUN+] / [TUN-] to select a memory location (30 memory locations in total) and confirm with [VOL+].
5. To recall stored stations, press and hold [TUN-]. Use [TUN+] / [TUN-] to select the desired station and confirm with [VOL+].
6. Press the [MENU] button to access the DAB menu settings. Here you can select from additional settings: Full scan, Manual frequency adjustment, Delete inactive stations, DRC setting (Dynamic Range Control), ASA settings and System settings.

5. FM radio operation

1. Press the [MODE] button to select FM mode.
2. In FM mode, press and hold the [MENU] button to start an automatic FM station search. To recall stored stations, press and hold [TUN-].
3. Use [TUN+] / [TUN-] to select the desired station and confirm with [VOL+]. To search for stations manually, press [TUN+] or [TUN-].
4. The frequency will change in 0.05 MHz increments.
5. To save the currently received station, press and hold [TUN+]. Use [TUN+] / [TUN-] to select a memory location and press [VOL+] to confirm adding or replacing the station.
6. Press the [MENU] button to access the FM menu settings.

6. Using Bluetooth

1. Press the [MODE] button to select Bluetooth mode (BT).
2. Activate the Bluetooth function on your smartphone and search for „TOP NR 5“ in the Bluetooth settings. Select the device to establish the connection.
3. Use [TUN+] or [TUN-] to switch between music tracks.

Note:

- If the radio is in Bluetooth mode and no audio signal is received, the device will switch off automatically after 5 minutes.
- If a connection is established in Bluetooth mode but playback is paused (no audio output), the device will switch off automatically after 10 minutes.

7. Menu settings

1. The following options are available in the „System Settings“ menu: Sleep timer, date/time, display brightness, equaliser settings, display brightness, OSD language, factory settings and software version. Select the desired menu item with [VOL+].
2. The date and time are automatically updated as soon as a DAB signal is received.

8. Status LEDs

1. From top to bottom:
Charging indicator, signal indicator, battery level indicator (100%–25%)
2. Charging indicator:
The charging LED flashes red while the battery is being charged via the hand crank generator. The flashing frequency varies depending on the rotational speed or the charging current generated.
3. Battery level indicator:
The LED flashes blue while the battery is being charged or discharged. As soon as the battery level exceeds 25%, the first blue LED (25%) lights up continuously. The next LED (50%) then starts flashing blue.
4. This process continues until the battery is fully charged. When the battery is fully charged, the blue LED lights up briefly after the USB-C charging cable is disconnected and then goes out.

9. Use a torch

- The torch has one high-brightness LED spotlight and two low-brightness LED spotlights. When the radio is switched on, switch on the torch using the [Torch] button as follows:
1. Press once: High brightness torch (High Beam)
 2. Press twice: Low brightness torch (Low Beams)
 3. Press three times: All LED spotlights switched on
 4. Press again: Torch off

Note: To use the torch when the radio is switched off, press and hold the [LIGHT] button for approximately 3 seconds until the torch is activated.

10. Audio output (headphone jack)

The 3.5 mm audio output is used to connect wired headphones or earphones. Once connected, the sound will be output through the headphones.

11. Charging external devices

Connect the USB-A cable to the USB-A port on the side of the radio and connect the other end to the device you want to charge. The radio will automatically switch to charging mode and support charging of the connected device.

Note:

This function is intended for emergency or outdoor use only. The radio is not designed for continuous use as a power bank.

12. Power the radio

(A) Charging via USB

- It is recommended that you fully charge the battery before using it for the first time:
1. Switch off the radio.
 2. Connect the supplied USB-C cable to the radio's charging port.
 3. Connect the other end to a computer, laptop or USB power supply (DC 5 V).

During charging, the battery level indicator flashes blue. Once the battery is fully charged, disconnect the USB-C cable. The indicator lights up blue briefly and then goes out.

(B) Charging via hand crank generator

- The radio can also be charged by turning the hand crank on the back:
1. The hand crank can be turned clockwise or counterclockwise.
 2. The charging indicator lights up while cranking.
 3. When using for the first time, turn the hand crank for 3–5 minutes at a speed of approximately 130–150 revolutions per minute.

Note: Approximately 10 minutes of cranking provides up to 20 minutes of FM or DAB radio at low to medium volume. The actual running time depends on the functions used.

(C) Charging via solar panel

The radio can also be charged via the solar panel on the top. To optimise the charging process, place the device in direct sunlight.

1. The charging capacity depends on the intensity of the sunlight – the stronger the sunlight, the more effective the charging process.
2. The solar panel is mainly used to maintain the battery charge level. It is usually not possible to fully charge the battery using the solar module alone.

13. Using the SOS alarm

Press and hold the SOS button to activate the SOS alarm. A loud alarm signal will sound through the speaker. At the same time, the torch will flash in SOS Morse code to alert others to an emergency situation.

14. ASA function (automatic safety warning)

ASA (Automatic Safety Alert) warns of disasters such as floods, storms or chemical accidents via digital radio. When switched on for the first time, the radio automatically switches to DAB mode and starts a station search. All receivable DAB stations are stored in the station list, including those that support ASA alerts. For ASA to work, the function must be activated in the menu under ASA settings and the current location must be set up. You can find the appropriate code for your location using your address on the asa.radio website. The desired volume for the ASA warning message can also be set in the menu/ASA settings.

In DAB mode and in standby mode, the radio continuously monitors ASA alerts from the currently selected DAB ensemble and other stored DAB ensembles. If an alert is detected, the radio automatically interrupts the current programme, switches to the corresponding alert channel and displays a message with instructions on the screen. After the warning message has ended, been cancelled or confirmed, the radio automatically returns to the previously set DAB station. This function is currently in trial operation.

15. Disclaimer

This operating manual has been compiled with the utmost care. Nevertheless, we accept no liability for any errors, misprints or incorrect information. Subject to changes and technical developments. Use at your own risk.

16. Technical data

- DAB+ & FM radio (digital and analogue radio reception)
- Robust ABS plastic housing
- DAB frequency range: 170–240 MHz
- FM frequency range: 87.5–108 MHz
- Display: LCD display
- Bluetooth for wireless audio streaming
- Speaker output: max. 2 W (clear, powerful sound)
- Headphone jack: 3.5 mm jack
- LED torch: 3 W
- SOS emergency light / warning signal
- Telescopic antenna: extendable up to 57 cm
- Integrated lithium battery with 4,000 mAh
- Power bank function for charging external devices
- Solar panel & hand crank generator (complete energy self-sufficiency)
- Input: 5 V, 2 A
- Output: 5 V, 1 A
- Dimensions: 15.0 x 8.0 x 5.0 cm (W/H/D)
- Weight: 269 g

Conformity information

Telestar GmbH hereby declares that the following device complies with the essential requirements and other relevant provisions of the RoHS Directive 2011/65/EU + 2015/863/EU, the RE Directive 2014/53/EU and REACH 1907/2006:

TELESTAR TOP NR 5 (item no.: 5700011)

The declaration of conformity for these products is available from the company: TELESTAR GmbH, Brückenstraße 2a, D-97618 Niederlauer

You can download the declaration of conformity from our homepage: <https://www.telestar.de/support/dl/>